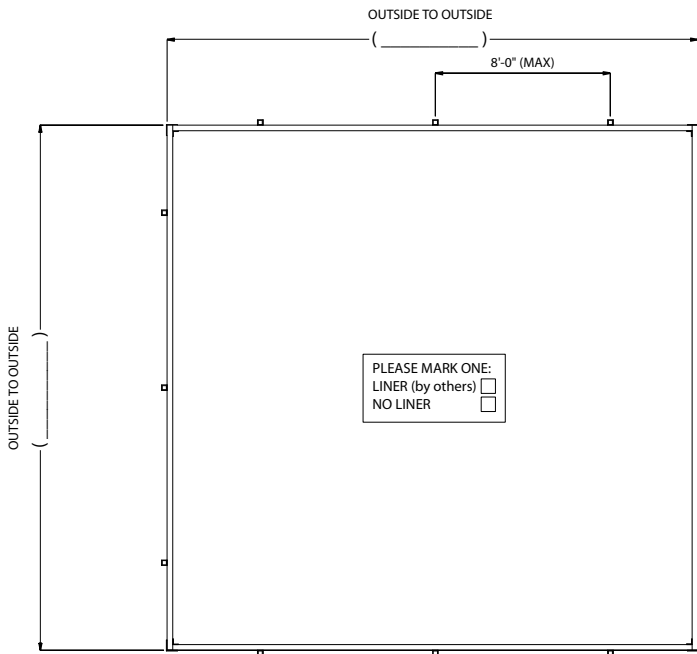


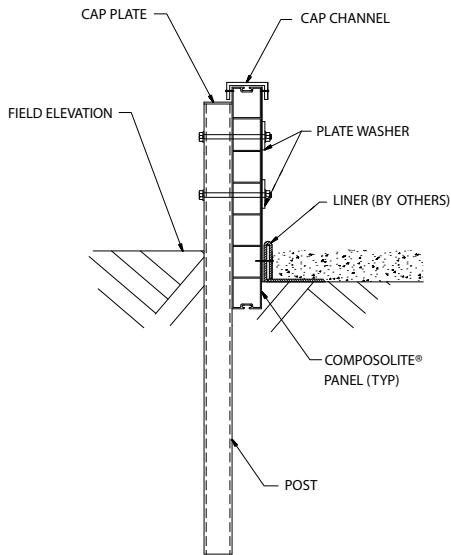
COMPOSOLITE® Secondary Containment System Worksheet



PLAN VIEW LAYOUT

NOTE 1: If custom layout is required, please draw a sketch and attach to this page.

NOTE 2: If a liner is required, Strongwell suggests the use of a polyethylene material such as Permalon® liners available from Reef Industries (www.reefindustries.com) or similar. Liners should be purchased to size.



TYPICAL CROSS SECTION @ WALL

Kit Contents

Each containment system is shipped with the following materials:

- COMPOSOLITE® panels - maximum length 24'; weight approximately 7.5 lbs/ft. Stock width of panels is 24". However, custom widths can be fabricated to meet your requirements.
- Square tubes for post with pre-drilled holes
- Splice plates with pre-drilled holes (if required)
- Corner angles with pre-drilled holes
- 316 stainless steel bolts
- Cap channel with nylon rivets - furnished in 20' lengths for field cutting
- Drill bits for bolts and rivets
- Tubes of Pliogrip® adhesive
- Adhesive applicator
- Flat strips and self-tapping screws for liner (if required)

Materials of Construction

Standard COMPOSOLITE® panels and other fiberglass components are manufactured using a fire retardant polyester resin system in a slate gray color. The hardware supplied in each kit is 316 stainless steel.

Contact Information *(please write or type clearly)*

Company: _____

Address: _____

City: _____

State: _____

Zip Code: _____

Contact Name: _____

Phone: _____

Fax: _____

Email Address: _____

Please fax this form to Wayne Allen at (619)477-7045 or email to wayne@sdplastics.com



STRONGWELL

ISO-9001:2000 Certified Manufacturing Plants



SAN DIEGO PLASTICS, INC.

2220 MCKINLEY AVENUE, NATIONAL CITY, CA 91950

619/477-4855 FAX 477-4874

www.sdplastics.com