



**SAN DIEGO PLASTICS, INC.**

2220 MCKINLEY AVENUE, NATIONAL CITY, CA 91950  
619/477-4855 FAX 477-4874  
www.sdplastics.com

## COMPOSOLITE® SECONDARY CONTAINMENT SYSTEM



- **Strong**
- **Lightweight**
- **Corrosion Resistant**
- **Easy and Cost Effective to Install**
- **Low Maintenance**
- **Low Conductivity**
- **Easy to Transport**

Originally developed for American Electric Power, Strongwell's COMPOSOLITE® Secondary Containment System is ideal for use in any application requiring secure containment of liquid or solid materials.

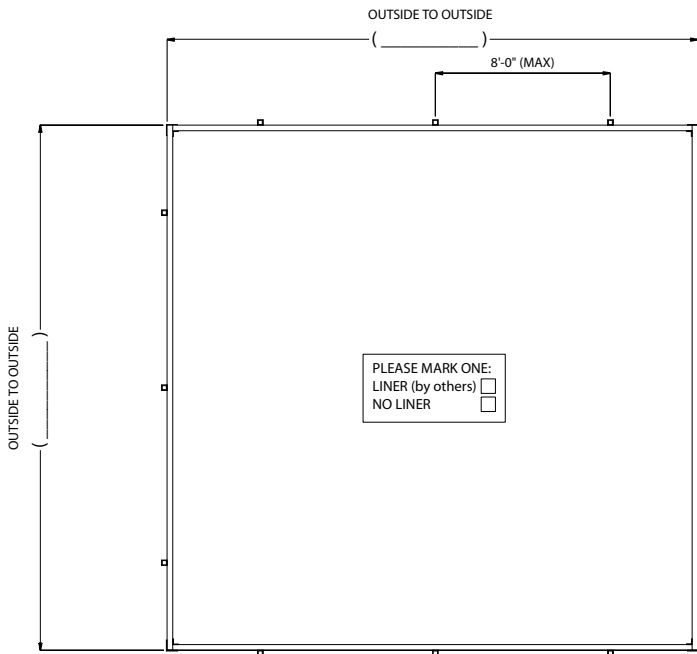
The lightweight, high strength pultruded fiberglass Containment System is much easier and more cost effective to install than poured-in-place concrete or earthen containment alternatives. The system also can easily be installed in confined or remote areas or easily removed if necessary.

Each COMPOSOLITE® Secondary Containment System is designed for your specific application. Systems can be assembled by Strongwell or shipped in kit form for field assembly. An optional polyethylene liner (such as Permalon®, manufactured by Reef Industries, or similar) can be added for further protection against leaks in applications involving liquid containment.

Typical applications include:

- Oil containment for electric substation transformers
- Secondary containment for chemical storage areas
- Containment walls around construction sites

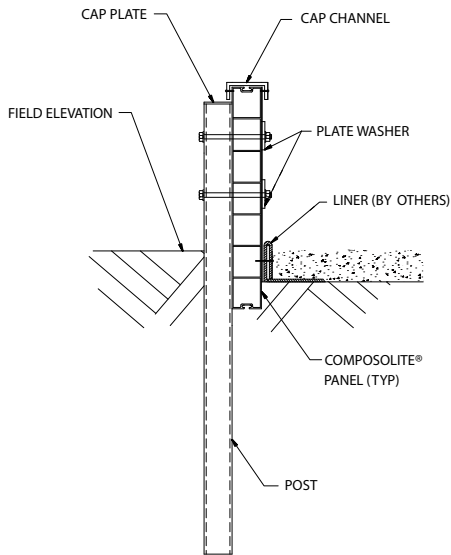
# COMPOSOLITE® Secondary Containment System Worksheet



**PLAN VIEW LAYOUT**

NOTE 1: If custom layout is required, please draw a sketch and attach to this page.

NOTE 2: If a liner is required, Strongwell suggests the use of a polyethylene material such as Permalon® liners available from Reef Industries (www.reefindustries.com) or similar. Liners should be purchased to size.



**TYPICAL CROSS SECTION @ WALL**

## Kit Contents

Each containment system is shipped with the following materials:

- COMPOSOLITE® panels - maximum length 24'; weight approximately 7.5 lbs/ft. Stock width of panels is 24". However, custom widths can be fabricated to meet your requirements.
- Square tubes for post with pre-drilled holes
- Splice plates with pre-drilled holes (if required)
- Corner angles with pre-drilled holes
- 316 stainless steel bolts
- Cap channel with nylon rivets - furnished in 20' lengths for field cutting
- Drill bits for bolts and rivets
- Tubes of Pliogrip® adhesive
- Adhesive applicator
- Flat strips and self-tapping screws for liner (if required)

## Materials of Construction

Standard COMPOSOLITE® panels and other fiberglass components are manufactured using a fire retardant polyester resin system in a slate gray color. The hardware supplied in each kit is 316 stainless steel.

### Contact Information *(please write or type clearly)*

Company: \_\_\_\_\_

Address: \_\_\_\_\_

City: \_\_\_\_\_

State: \_\_\_\_\_

Zip Code: \_\_\_\_\_

Contact Name: \_\_\_\_\_

Phone: \_\_\_\_\_

Fax: \_\_\_\_\_

Email Address: \_\_\_\_\_



**STRONGWELL**

ISO-9001:2000 Certified Manufacturing Plants



**SAN DIEGO PLASTICS, INC.**

2220 MCKINLEY AVENUE, NATIONAL CITY, CA 91950

619/477-4855 FAX 477-4874

www.sdplastics.com