



Deco-Round 33 and 50

"Cone within a Cube" Decorative Parabolic Louvers

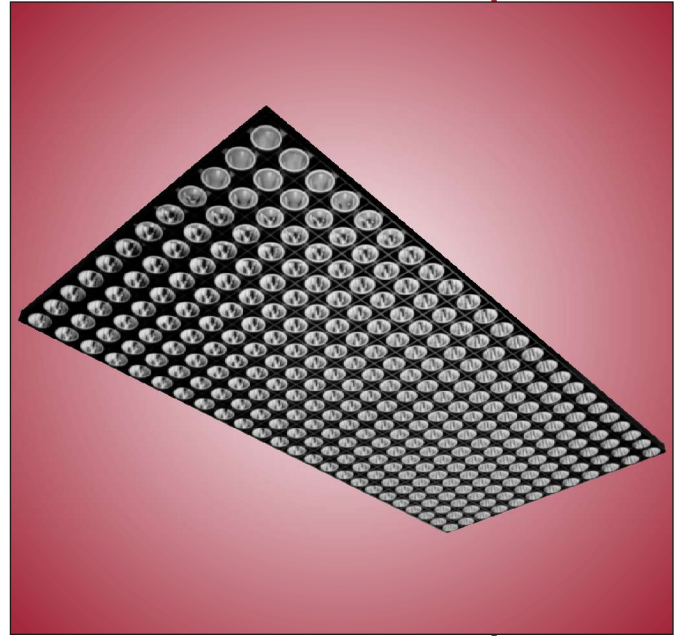
DESCRIPTION

Deco-Round, the unconventional parabolic louver. This series represents a new departure in the design appearance of parabolic louvers. The parabolic cones are set into the overall cube pattern creating a play of shape upon shape and light against dark, a unique visual experience.

Deco-Round 33, is a medium scale decorative low brightness louver with **two individual shapes** integrated into a **single design element - "a cone within a cube"**. Parabolic cones of 1" in diameter set into an overall 1-5/16" cube louver pattern. Louvers provide **40° shielding** from all angles.

Deco-Round 50, is a large scale decorative low brightness louver with **two individual shapes** integrated into a **single design element - "a cone within a cube"**. Parabolic cones of 1-3/8" diameter set into an overall 2" cube louver pattern. Louvers provide **45° shielding** from all angles.

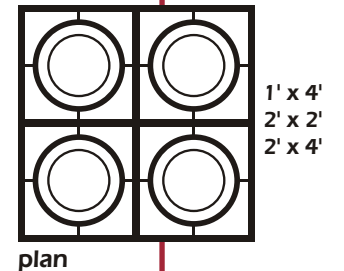
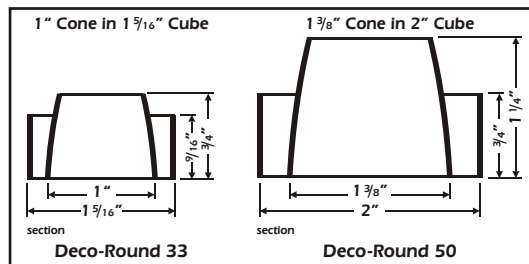
We recommend the **Durabolic Finish** for all specular plastic louvers. This Durabolic Finish allows ease of handling and maintenance.



Deco-Round

APPLICATIONS

- Conference Rooms
- Commercial & Municipal Buildings
- Entries & Corridors
- Decorative Ceilings



To Order: Select description from each column and include "options" if applicable.

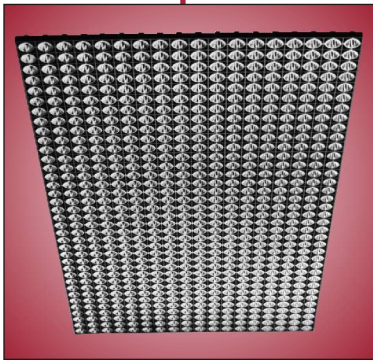
Example: DR33 24 SPS CUT 21-1/2X44-1/2

Louver	Nominal Size	Material / Finish	Fabrication Options
Deco-Round 33 1" cone in 1-5/16" cube enter <u>DR33</u> Deco-Round 50 1-3/8" cone in 2" cube enter <u>DR50</u>	<u>14</u> — 11-3/4" x 47-3/4" <u>22</u> — 23-3/4" x 23-3/4" <u>24</u> — 23-3/4" x 47-3/4" enter size	SPS — Specular Silver, Polystyrene SPG — Specular Gold, Polystyrene, Durabolic SSS — Semi-Specular Silver, Polystyrene DSPS — Durabolic Specular Silver, Polystyrene* enter finish * Optional Durabolic Coating	CUT — Cut to Size AN — Avoida-Notch Framing Note: Cut to Size - on Cut to Size orders O.D. must be provided. Cut to Size louvers must be able to fit directly into the doorframe. Note: Avoida-Notch - O.D. must be provided. Avoida-Notch to be used when louver cannot fit into the doorframe. enter options

Note: All Deco-Round louvers are destaticized before and after fabrication to ensure a high quality product.

For more information, or to place an order, contact Customer Service.

DECO-ROUND 33 AND 50 DATA



Deco-Round

Specifications

Parabolic Louvers shall be Deco-Round 33 or Deco-Round 50 as manufactured by A.L.P. Lighting Components, Inc. These louvers shall be one piece injection molded of polystyrene base material. Deco-Round 33 cell sizes — 1" diameter cone set into a 1-5/16" cube louver pattern, providing 40° shielding from all angles. Deco-Round 50 cell sizes — 1-3/8" diameter cone set into a 2" cube louver pattern, providing 45° shielding from all angles.

Specular finishes shall have all parabolic surfaces prepared with a primary undercoat and a highly specular (mirror-like) vacuum metalized finish.

Notes:

1. **Lighting Fixtures** — panels will sometimes require additional cutting for proper installation. Louver panels can also be specified with the **Avoida-Notch™** optional frame — to specify add suffix AN100 to the base catalog number for both the Deco-Round 33 and Deco-Round 50. For color designation use B for Black, W for White, SP for Specular Finish. The color designation should follow SP (i.e., G for Gold, S for Silver).
2. **Lighted Ceilings** — louver panels are designed to fit any standard 1' x 4', 2' x 2' and 2' x 4' grid system.
3. **Special sizes** — additional sizes are available, please contact A.L.P. with this request.

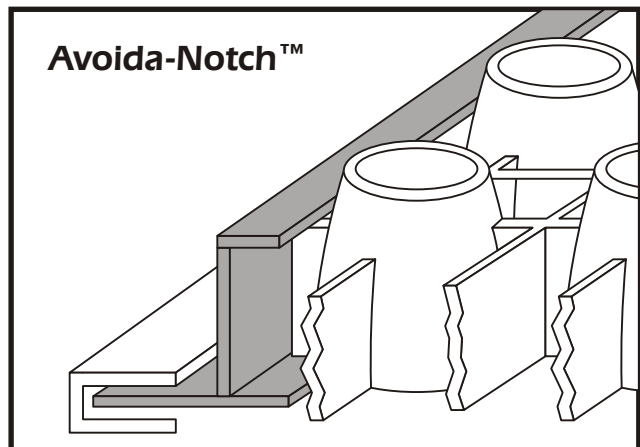
Parabolic Data

General

A.L.P. parabolic louvers are the most sophisticated and optically precise lighting control panels available in the industry. The proper installation, care and handling of these louvers will insure excellent light control and product serviceability for many years.

Care & Handling

Great care should be exercised when handling parabolic louvers, avoiding contact with oily and/or foreign substances. Always handle louver panels with clean white gloves - never use bare hands. Always install these louvers after the space has been completed and is ready for occupancy - never during construction.



Avoida-Notch™

A black, white or specular extruded plastic frame welded to the louver itself, allows for easy installation of the louver into a fixture doorframe and at the same time Avoida-Notch eliminates the halo affect often associated with notching. This makes notching obsolete. Avoida-Notch is also available in colors to match any of the louvers you order/specify. Please specify AN100 with special A.L.P. welding technique and the color of your choice. (Refer to ordering information on front page). Avoida-Notch can also be inverted so that the flange is at the top of the louver. This will allow the louver to sit below the doorframe or grid ceiling.



GLARE
CONTROL
SPECIALISTS

A.L.P.

LIGHTING COMPONENTS, INC.

CORPORATE HQ: CHICAGO, IL U.S.A.

WEB SITE: WWW.ALPLIGHTING.COM

For Customer Support and Service Contact us at:

(877) ALP-ITG1 • FAX: (800) 438-2500

© 1999 A.L.P. LIGHTING COMPONENTS, INC., PRINTED IN THE U.S.A., DR5 068